



# ERPH 2.0 ELECTRIC PANEL HEATER



## OPERATING MANUAL

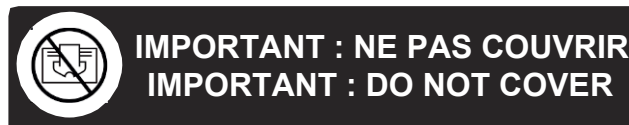
SAVE THESE INSTRUCTIONS FOR FUTURE REFERENCE

**Safety** Read the Installation and User Guide(\*), especially the safety instructions below.

**WARNING** - Certain parts of this product may become very hot and may cause burns. Pay extra attention to small children and vulnerable people when they are around the heater.



- This heater may be used by children aged 8 and over and by persons with reduced physical, sensory or mental capacity or without any experience or knowledge providing they are correctly supervised or they have been given instructions on how to use the heater safely and they clearly understand the potential hazards. Children must not play with the heater. Unless supervised, children must not perform user cleaning and maintenance.
- Ensure children aged under 3 are kept at a safe distance unless they are under constant supervision.
- Children aged between 3 and 8 may only turn the heater on or off providing it has been placed or installed in the normal position for its operation and providing they are under supervision or they have been given instructions on how to use the heater safely and clearly understand the potential hazards.
- Children aged between 3 and 8 must not plug in, change the heater settings, clean or perform any user maintenance on the heater.
- Do not insert anything into the heater.
- The heater may only be connected by a qualified person after the power has been switched off.



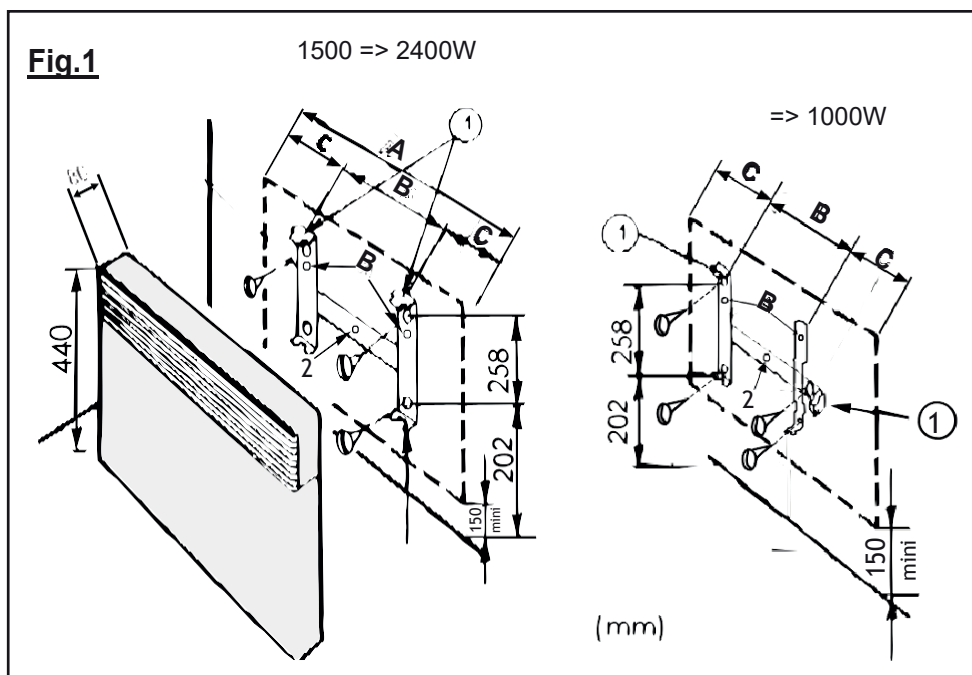
- The heater risks overheating if it is covered. The following logo reminds users of this risk. -It is therefore strictly forbidden to cover or block the air intakes or outlets at the risk of causing an accident or damaging the heater. -All service operations must be performed by a qualified and authorised person after the power has been switched off. -The installation must include an omni polar circuit breaker with a contact opening gap of at least 3 mm. -The heater must not be installed underneath a power socket. -Comply with the minimum installation distances from floors, walls, furniture, etc. -The power supply must be protected by a residual current device of at least 30 mA, especially when installed in a room with a bath or shower. -When installing the heater in bathrooms, it must comply with local regulations. -If the power supply cable is damaged, it must be replaced by the manufacturer, its after-sales service or a person with similar qualifications in order to prevent any potential hazards. -Avoid installing the heater in a draught which may otherwise affect its thermostat control. -This direct electric heater is designed for ambient heating of residential type rooms, or similar, in new or existing, single and multi-unit dwellings. -Do not use this heater in the immediate surroundings of a bath, a shower or a swimming pool.

(\* ) These instructions were correct at the time of the heater's manufacture and comply with the standards applicable as at that date. The company reserves the right to modify the Installation and User Guide at any time in order to take into account any new standards or changes to existing standards.

# RECOMMENDATION FOR WALL INSTALLATION

This heater is sold ready for DIY installation, with Wall bracket and flexible cord supplied. To remove the wall bracket from the heater you need to push down on the spring-loaded clips located at the top of the bracket. This can be done by using your fingers or, if preferred, a screwdriver (No: 1 Fig.1). Fit the wall bracket to the wall with suitable fixing method according to the surface you mount the heater on (note: fixings not included). Place the heater on to the bracket and clip into position.

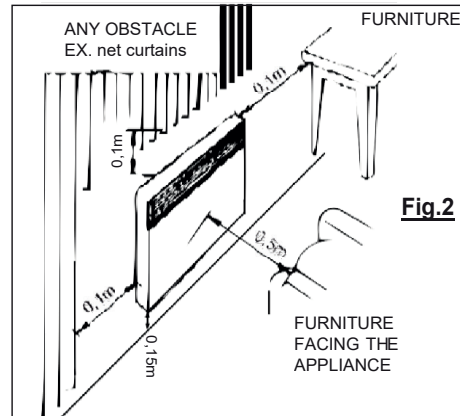
**Note:** To centre your appliance laterally on the wall, use the hole marked 2.



ModelP	ower (W)	Height	AB		C
7358-3T1	000	4404	20	2081	06
7358-5T1	500	4405	80	1782	01
7358-7T2	000	4407	45	3202	10
7358-8T2	400	4409	00	4052	48

The heater must not be located immediately below a socket outlet (as per requirement of Clause 7.12 of AS/NZS 60335.2.30).

**WARNING: IN ORDER TO AVOID OVERHEATING, DON'T COVER THE HEATER**

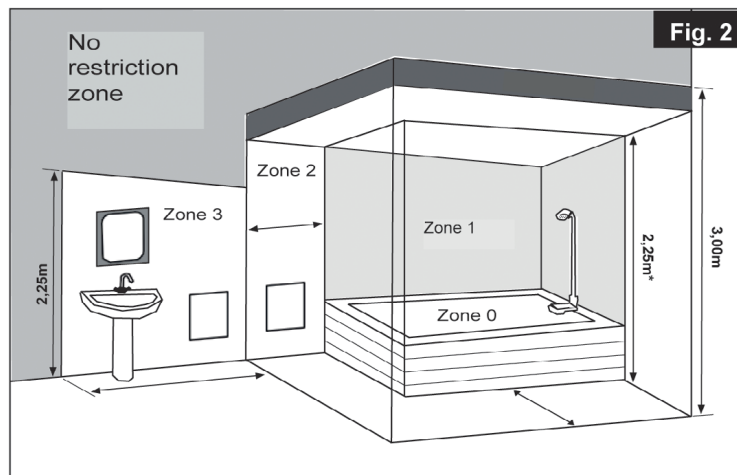


For maximum efficiency, this heater is to be wall mounted between a minimum height of 100mm and a maximum height of 150mm off the floor. This is to allow the necessary volume of air to flow freely through the vents. It is also important to allow a minimum of 100mm clearance at the top and sides of the heater and 500mm from the front (Fig. 2) so as not to force the air back into the heater and activate the Over Temperature Safety Thermal Cut-Out Switch.

If the “Over Temperature Safety Thermal Cut-Out Switch” is activated, the heater will automatically switch off to limit the temperature to a safe value. To reset the thermal cut- out, simply switch the heater off, unplug it from the power point and remove the obstruction(s). Plug the heater back in and switch it on. The thermal cut-out switch will reset after a few minutes and the heater will function normally.

## PANEL LOCATIONS

This heater is IP24 rated and suitable for use in all rooms including Zone 2 in Bathrooms (Fig.3) in accordance with AS/NZS 3000: 2018 (Wiring Rules). This heater is double insulated and does not require earthing, **for use in the bathroom it must be located so that the controls cannot be touched by a person in the bath or shower.**



## RECOMMENDATION FOR USE WITH CASTORS

This heater is tested and approved for use with the optional “Easy Glide Castors”. Please follow the fitting instructions (supplied with the castors) closely, ensuring the BLACK CLIPS are correctly installed. Note that once the BLACK CLIPS are fixed into position, the castors CANNOT be removed without breaking them.

**WARNING: DO NOT use the heater on the floor without the “Easy Glide Castors”.**

## ELECTRICAL CONNECTION

This heater is fitted with an Australian Approved Flexible Cord and Plug. For wall-mounted installations connection can be either by plugging into an existing 10amp power point (DIY) or direct wired by a Licensed Registered Electrical Contractor, who is required to issue a Certificate of Electrical Safety.

**PLEASE NOTE:** For safety reasons the Flexible Cord must not be modified or repaired in any way. If there are any concerns, contact Noirot Australia Pty Ltd on 1 300 664 768 before plugging

**IMPORTANT: DO NOT plug heater into a Power Board, Double Adaptor or Extension Lead.**

## USING YOUR HEATER FOR THE FIRST TIME

Remove the heater from its packaging (please dispose of packaging responsibly). Contents should be as follows:

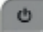
1. Heater
2. Wall bracket (pre-attached to the back of the heater)
3. Instructions for installation and use (8-page booklet)
4. Castors (Note: not included with Evolution models Ensure the heater is correctly mounted on the wall or fitted to the castors prior to turning it on. Remove the white plastic protective covers from the plug pins and insert the plug into the wall socket.

**NOTE:** When the heater is turned on for the first time, or after it has been off for a long period, such as during the summer months, you may experience a slight odour (smell) and haze. This is quite common and should disappear after a few minutes. If it should persist, switch the heater off and have it inspected.



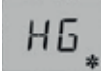
Additional Support, please go to: [www.noirot.com.au](http://www.noirot.com.au)

# THE MR190 DIGITAL CONTROLLER




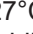
**On/Standby:**  Press to turn the heater **ON** or return it to **STANDBY** Mode

**Mode Selector:** The **MODE** button enables the heater to operate in the following 3 modes (shown by the different symbols along the bottom of the display):

Mode	Display	Description
TIMER		Heater operates only during heating periods
COMFORT		Heater operates continuously at the set temperature
FROST-PROTECTION		Heater operates continuously at 7°C (frost-protection)



## MANUAL HEATER OPERATION


Ensure your heater is correctly installed or mounted on castors, plugged in and turned on at the power point on.

Press  to turn the heater ON and ensure the mode is set to COMFORT. Use the + and - buttons to set the required room temperature. The temperature is increased or decreased in 0.5°C increments and ranges from 7°C to a maximum of 27°C. The  symbol on the display indicates that the element is energised. Once the room temperature has stabilised, the heating element will cycle on and off to maintain the room temperature.

Press  to return the heater to STANDBY mode

## SETTING THE TIME

Press  the button. Press the **OK Prog** button for 3 seconds to enter the programming mode The Day will now be blinking . Press the **OK Prog** button again, this time for 3 seconds to enter the time setting mode The Hour will

now be flashing  Use the + and - buttons to set the current hour, then press **OK Prog** to confirm. The Minutes will now be flashing.

Use the + and - buttons to set the current hour, then press **OK Prog** to confirm. The Day will now be flashing.

Set the current day (i.e. 1 for Monday, 2 for Tuesday, etc.), then press **OK Prog** to confirm. The time and day are now set.

To display the current time during normal operation, briefly press the **OK Prog** button. The time will be displayed for 3 seconds.

## PROGRAMMING THE TIMER

It is possible to set up to 3 On/Standby periods per day using the timer mode. Each day can be programmed individually or all days can be programmed at once.

Press the **OK Prog** button for 3 seconds to enter the programming mode. The Day will now be blinking. Use the + and - buttons scroll to the required day. Note that after Day 7, 'ALL' will be displayed. Use this setting to program every day.

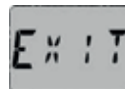
Press **OK Prog** the button to confirm. Period 1 settings are now displayed. Use the + and - buttons to select the time that you would like the heater to turn **ON**. When a time is displayed a triangle appears on the display below **FROM**.

Press **OK Prog** the button to confirm. Use the + button to select the time that you would like the heater to return to **STANDBY**. The triangle is now displayed below **TO**, indicating the time the heater is set to revert to **STANDBY** mode.

Press the **OK Prog** button to confirm. Period 2 settings are now displayed. Repeat the above steps for Period 3 to set the times that the heater is to turn **ON** and return to **STANDBY**.

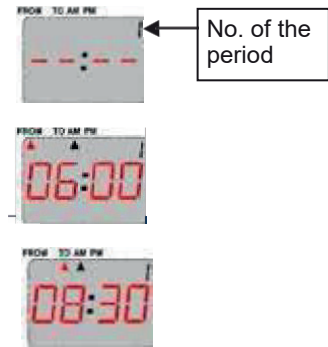
If no more On/Standby periods are required for the day, continue to press **OK Prog** until the Day is again displayed. Repeat the above steps for each day heating periods are required. Repeat the above steps for each day heating periods are required. To exit to programming mode press **OK Prog** until the **DAY** is displayed. Press the button + until **EXIT** is displayed on the display.

Press the **OK Prog** button to confirm to exit programming



Briefly pressing the **OK Prog** button when the heater is in **AUTO** Mode will display the time left in a heating period or the lapsed time until the next heating period starts. **No Pr** is displayed if no more heating periods are programmed for that day.

**Note:** The temperature can be adjusted at any time during a heating period. Simply press the + or - buttons to adjust the room temperature.





## PROGRAMMING RESET

The programming can be reset to the original status Press the  $\cup$  button to turn the heater to STANDBY Mode. Press once again the  $\cup$  button for at last 15 seconds until «RST» appears on the screen. The programming is now :

- from Day 1 to Day 5 heater ON from 06 am to 09 am and from 05 pm to 11pm.
- Day 6 and Day 7 heater ON from 08 am to 11pm.

Press the  $\cup$  button to turn the heater ON.

## CHILD LOCK

Press both the + and - buttons together until the  is displayed  on the screen. This indicates that the child lock is activated, disabling the buttons on the keypad.

To re-activate the keypad, press both the + and - buttons together until the key disappears.

## MAINTENANCE

Your Noirot Electric Panel Heater requires very little maintenance. To remove surface dust use a soft cloth; to remove marks use a damp cloth. Never use abrasives or metal scourers which could damage the polyester coating. It is recommended to periodically clean the front and under carriage air vents using the soft brush on your vacuum cleaner, as dense accumulation of dust will cause the heater to over-heat and trigger the safety thermal cutout switch.

## SPECIFICATIONS

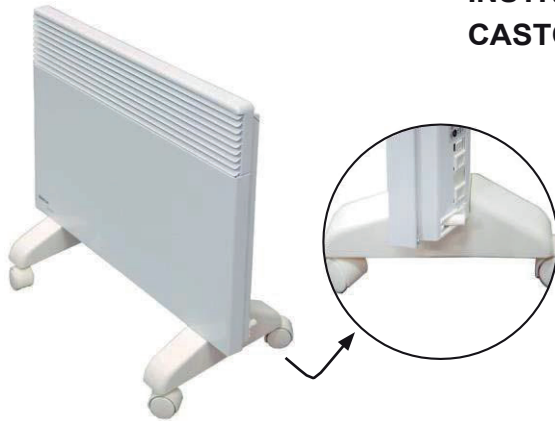
Model	Power (W)	Current (A)	Height	A	B	C
7358-3T	1000	4.2	440	420	208	106
7358-5T	1500	6.3	440	580	178	201
7358-7T	2000	8.3	440	745	320	210
7358-8T	2400	10.0	440	900	405	248

**PLEASE NOTE:** Heater temperature settings will vary from house to house according to the building type and its level of insulation. They will also vary from room to room, depending on factors such as room orientation (facing north or south) and window sizes. Items such as computers and lights (which generate heat) and people will also affect a room's temperature.

Running costs are not wholly governed by the temperature setting on the panel heater. The same maximum power is used to reach 7° or 27°. Where the energy efficiency and economy is obtained is in the sizing of the heater to the particular room where it is to be used. If the heater is sized correctly, then the thermostat will cycle on & off as required to maintain your comfort level, no matter where on the scale your comfort setting is.

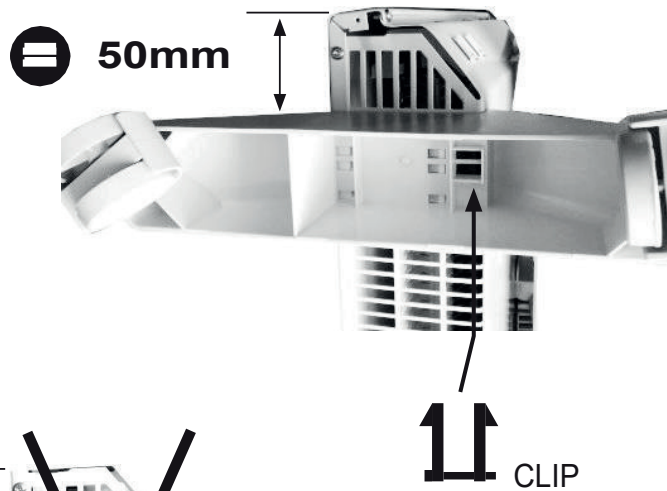


### INSTRUCTION FOR MOUNTING CASTORS ON THE HEATER

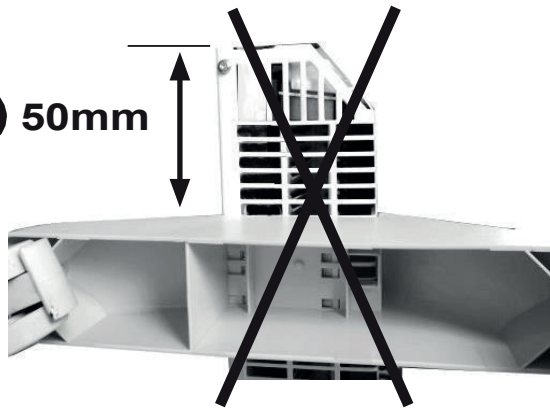


Please follow these instructions.

**YES !**



**NO !**



**WARNING:**

- Do not use this heater if it has been dropped.
- Do not use if there are visible signs of damage to the heater.
- Use this heater on a horizontal and stable surface, or fix it to the wall, as applicable.
- Do not use this heater in small rooms when they are occupied by persons not capable of leaving the room on their own, unless constant supervision is provided.
- To reduce the risk of fire, keep textiles, curtains, or any other flammable material to a minimum distance of 1m from the air outlet.

