



ERPH 2.0 ELECTRIC PANEL HEATER



OPERATING MANUAL

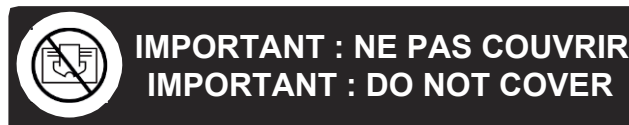
SAVE THESE INSTRUCTIONS FOR FUTURE REFERENCE

Safety Read the Installation and User Guide(*), especially the safety instructions below.

WARNING - Certain parts of this product may become very hot and may cause burns. Pay extra attention to small children and vulnerable people when they are around the heater.



- This heater may be used by children aged 8 and over and by persons with reduced physical, sensory or mental capacity or without any experience or knowledge providing they are correctly supervised or they have been given instructions on how to use the heater safely and they clearly understand the potential hazards. Children must not play with the heater. Unless supervised, children must not perform user cleaning and maintenance.
- Ensure children aged under 3 are kept at a safe distance unless they are under constant supervision.
- Children aged between 3 and 8 may only turn the heater on or off providing it has been placed or installed in the normal position for its operation and providing they are under supervision or they have been given instructions on how to use the heater safely and clearly understand the potential hazards.
- Children aged between 3 and 8 must not plug in, change the heater settings, clean or perform any user maintenance on the heater.
- Do not insert anything into the heater.
- The heater may only be connected by a qualified person after the power has been switched off.



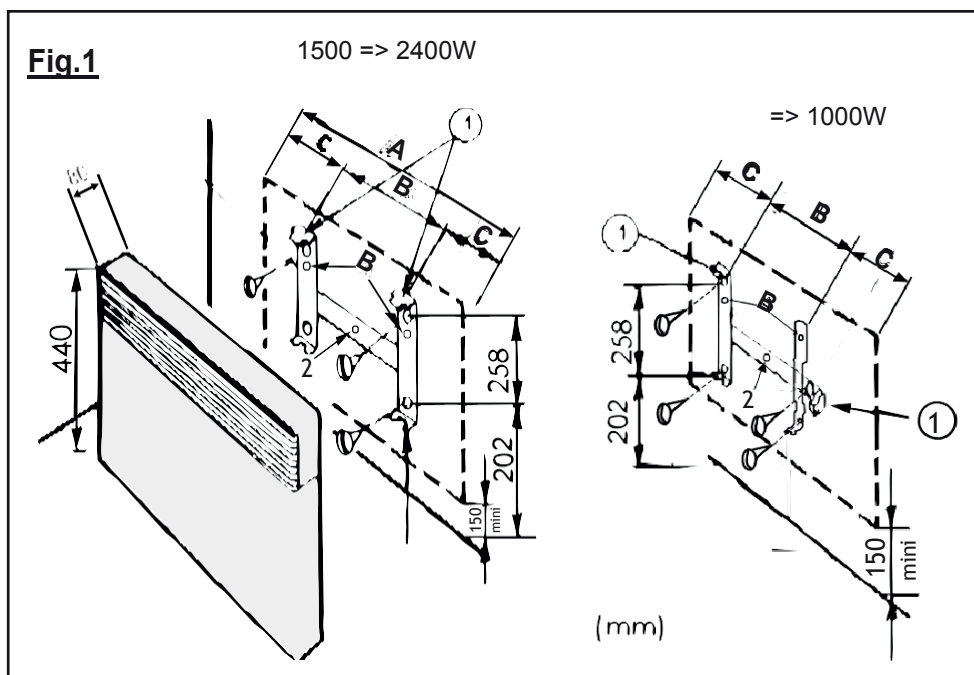
- The heater risks overheating if it is covered. The following logo reminds users of this risk. -It is therefore strictly forbidden to cover or block the air intakes or outlets at the risk of causing an accident or damaging the heater. -All service operations must be performed by a qualified and authorised person after the power has been switched off. -The installation must include an omni polar circuit breaker with a contact opening gap of at least 3 mm. -The heater must not be installed underneath a power socket. -Comply with the minimum installation distances from floors, walls, furniture, etc. -The power supply must be protected by a residual current device of at least 30 mA, especially when installed in a room with a bath or shower. -When installing the heater in bathrooms, it must comply with local regulations. -If the power supply cable is damaged, it must be replaced by the manufacturer, its after-sales service or a person with similar qualifications in order to prevent any potential hazards. -Avoid installing the heater in a draught which may otherwise affect its thermostat control. -This direct electric heater is designed for ambient heating of residential type rooms, or similar, in new or existing, single and multi-unit dwellings. -Do not use this heater in the immediate surroundings of a bath, a shower or a swimming pool.

() These instructions were correct at the time of the heater's manufacture and comply with the standards applicable as at that date. The company reserves the right to modify the Installation and User Guide at any time in order to take into account any new standards or changes to existing standards.*

RECOMMENDATION FOR WALL INSTALLATION

This heater is sold ready for DIY installation, with Wall bracket and flexible cord supplied. To remove the wall bracket from the heater you need to push down on the spring-loaded clips located at the top of the bracket. This can be done by using your fingers or, if preferred, a screwdriver (No: 1 Fig.1). Fit the wall bracket to the wall with suitable fixing method according to the surface you mount the heater on (note: fixings not included). Place the heater on to the bracket and clip into position.

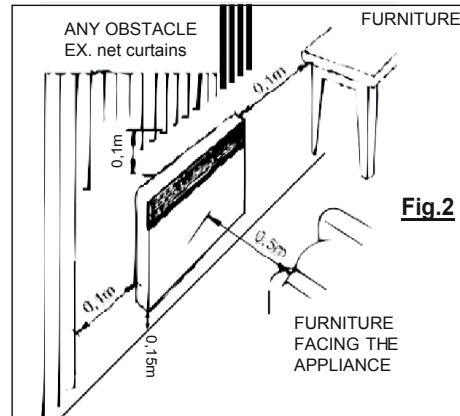
Note: To centre your appliance laterally on the wall, use the hole marked 2.



Model	Power (W)	Height	AB	BC	AC
7358-3T1	300	4404	20	2081	206
7358-5T1	500	4405	80	1782	201
7358-7T2	700	4407	45	3202	210
7358-8T2	800	4409	00	4052	248

The heater must not be located immediately below a socket outlet (as per requirement of Clause 7.12 of AS/NZS 60335.2.30).

WARNING: IN ORDER TO AVOID OVERHEATING, DO NOT COVER THE HEATER

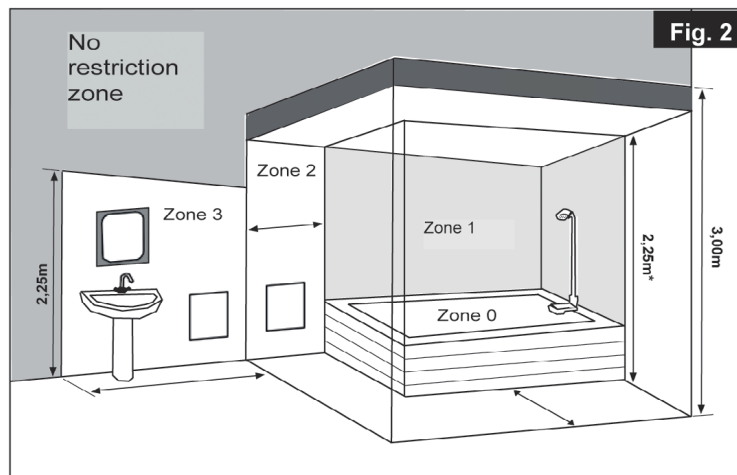


For maximum efficiency, this heater is to be wall mounted between a minimum height of 100mm and a maximum height of 150mm off the floor. This is to allow the necessary volume of air to flow freely through the vents. It is also important to allow a minimum of 100mm clearance at the top and sides of the heater and 500mm from the front (Fig. 2) so as not to force the air back into the heater and activate the Over Temperature Safety Thermal Cut-Out Switch.

If the “Over Temperature Safety Thermal Cut-Out Switch” is activated, the heater will automatically switch off to limit the temperature to a safe value. To reset the thermal cut-out, simply switch the heater off, unplug it from the power point and remove the obstruction(s). Plug the heater back in and switch it on. The thermal cut-out switch will reset after a few minutes and the heater will function normally.

PANEL LOCATIONS

This heater is IP24 rated and suitable for use in all rooms including Zone 2 in Bathrooms (Fig.3) in accordance with AS/NZS 3000: 2018 (Wiring Rules). This heater is double insulated and does not require earthing, **for use in the bathroom it must be located so that the controls cannot be touched by a person in the bath or shower.**



RECOMMENDATION FOR USE WITH CASTORS

This heater is tested and approved for use with the optional “Easy Glide Castors”. Please follow the fitting instructions (supplied with the castors) closely, ensuring the BLACK CLIPS are correctly installed. Note that once the BLACK CLIPS are fixed into position, the castors CANNOT be removed without breaking them.

WARNING: DO NOT use the heater on the floor without the “Easy Glide Castors”.

ELECTRICAL CONNECTION

This heater is fitted with an Australian Approved Flexible Cord and Plug. For wall-mounted installations connection can be either by plugging into an existing 10amp power point (DIY) or direct wired by a Licensed Registered Electrical Contractor, who is required to issue a Certificate of Electrical Safety .

PLEASE NOTE: For safety reasons the Flexible Cord must not be modified or repaired in any way. If there are any concerns, contact Noirot Australia Pty Ltd on 1 300 664 768 before plugging

IMPORTANT: DO NOT plug heater into a Power Board, Double Adaptor or Extension Lead.

USING YOUR HEATER FOR THE FIRST TIME

Remove the heater from its packaging (please dispose of packaging responsibly). Contents should be as follows:

1. Heater
2. Wall bracket (pre-attached to the back of the heater)
3. Instructions for installation and use (8-page booklet)
4. Castors (Note: not included with Evolution models Ensure the heater is correctly mounted on the wall or fitted to the castors prior to turning it on. Remove the white plastic protective covers from the plug pins and insert the plug into the wall socket.

NOTE: When the heater is turned on for the first time, or after it has been off for a long period, such as during the summer months, you may experience a slight odour (smell) and haze. This is quite common and should disappear after a few minutes. If it should persist, switch the heater off and have it inspected.

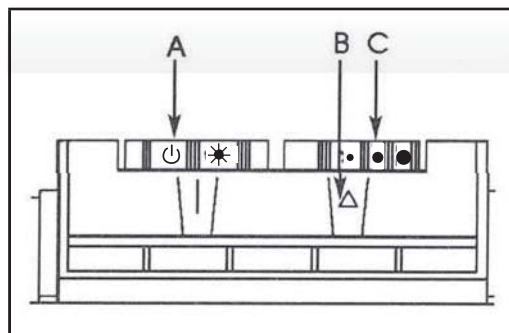
Additional Support, please go to: www.noiro.com.au

MANUAL HEATER OPERATION

HOW TO USE THE ELECTRONIC THERMOSTAT

The Noirot Electronic Thermostat is designed to read the room temperature every 30 seconds. This offers maximum economy, greater efficiency and is very simple to use.

1. To turn the heater on, turn dial **A** from '⏻ (Standby)' to '☀',
2. Turn dial **C** until light **B** illuminates.
3. Allow time for the room to heat up. This will vary with the size of the room but usually takes 15-20mins. The light **B** will turn off.
4. To achieve your comfort level simply adjust the dial **C** to suit. If you require more heat turn the **C** dial up to a larger 'DOT'. If the room is too hot then turn the dial C to a smaller 'DOT'.
5. To return the heater to standby, turn dial '**A**' from '☀' to '⏻ (Standby)'



MAINTENANCE

Your Noirot Electric Panel Heater requires very little maintenance. To remove surface dust use a soft cloth; to remove marks use a damp cloth. Never use abrasives or metal scourers which could damage the polyester coating. It is recommended to periodically clean the front and under carriage air vents using the soft brush on your vacuum cleaner, as dense accumulation of dust will cause the heater to over-heat and trigger the safety thermal cutout switch.

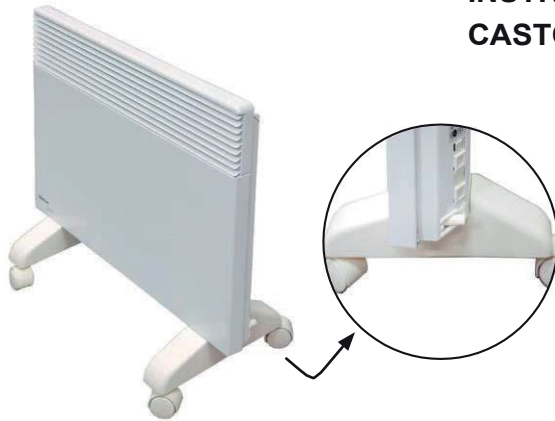
SPECIFICATIONS

Model	Power (W)	Current (A)	Height	A	B	C
7358-3T	1000	4.2	440	420	208	106
7358-5T	1500	6.3	440	580	178	201
7358-7T	2000	8.3	440	745	320	210
7358-8T	2400	10.0	440	900	405	248

PLEASE NOTE: Heater temperature settings will vary from house to house according to the building type and its level of insulation. They will also vary from room to room, depending on factors such as room orientation (facing north or south) and window sizes. Items such as computers and lights (which generate heat) and people will also affect a room's temperature.

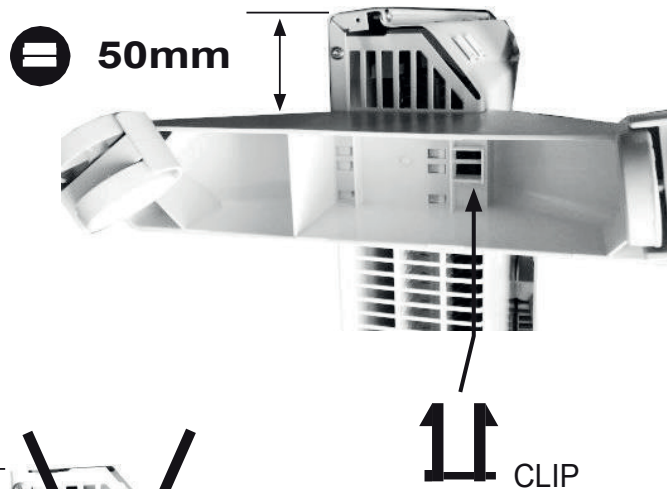
Running costs are not wholly governed by the temperature setting on the panel heater. The same maximum power is used to reach 7° or 27°. Where the energy efficiency and economy is obtained is in the sizing of the heater to the particular room where it is to be used. If the heater is sized correctly, then the thermostat will cycle on & off as required to maintain your comfort level, no matter where on the scale your comfort setting is.

INSTRUCTION FOR MOUNTING CASTORS ON THE HEATER

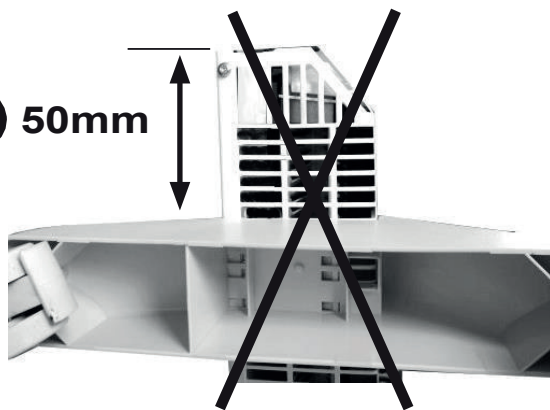


Please follow these instructions.

YES !



NO !



WARNING:

- Do not use this heater if it has been dropped.
- Do not use if there are visible signs of damage to the heater.
- Use this heater on a horizontal and stable surface, or fix it to the wall, as applicable
- Do not use this heater in small rooms when they are occupied by persons not capable of leaving the room on their own, unless constant supervision is provided.
- To reduce the risk of fire, keep textiles, curtains, or any other flammable material to a minimum distance of 1m from the air outlet.

