



Air Mover
With Carpet Clamp
Model: AM103



INSTRUCTION MANUAL

SAVE THESE INSTRUCTIONS FOR FUTURE REFERENCE

SAA APPROVED

GENERAL INFORMATION

Packaging

Please DO NOT dispose of any packaging until you have checked the appliance is operational.

After removing the packaging ensure the contents are intact and complete.

In the unlikely event of missing parts; contact your retailer.

DO NOT leave children unattended with any of the packaging since it is a potential source of danger. Disposal of all packaging must be carried out responsibly and safely and in accordance with your local authority regulations.

ALWAYS recycle the packaging material where possible.



WARNING! To reduce the risk of fire, electric shock or injury:

When using any electrically powered product, basic safety precautions should always be followed.

**PLEASE READ THE INSTRUCTIONS
CAREFULLY AND IN FULL BEFORE USING
THE PRODUCT**

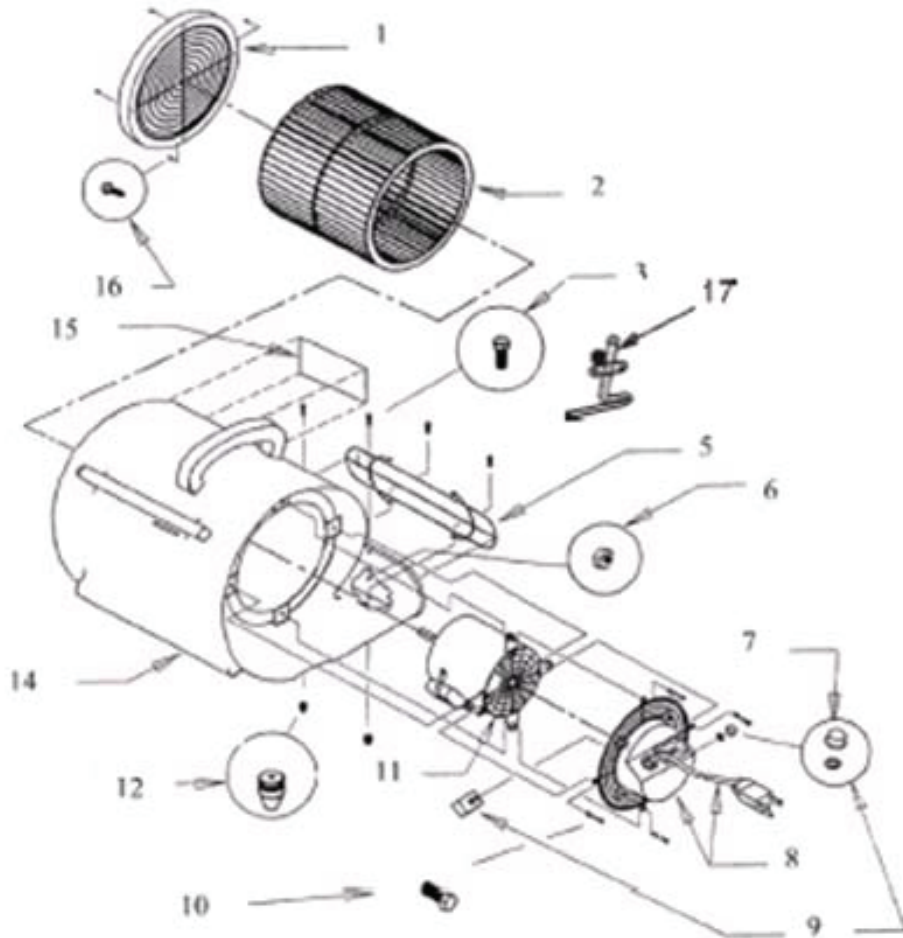
IMPORTANT SAFETY INSTRUCTIONS

WARNING—to reduce the risk of fire, electrical shock or injury to persons or property:

- 1) Always operate the product from a power source of the same voltage, frequency and rating as indicated on the product identification plate.
- 2) Do not operate any product with a damaged power cord or plug, after the appliance malfunctions, dropped or damaged in any way. Return the complete product to the place of purchase for inspection, repair or replacement.
- 3) To reduce the risk of electric shock, do not expose the unit or flexible cord to moisture of any kind.
- 4) Switch off and unplug from the power socket when not in use, before assembly or before cleaning.
- 5) Do not place objects on the product or allow objects to obstruct the inlet or outlet openings, or operate in close proximity to wall or curtains etc.
- 6) The use of attachments or accessories not recommended or sold by the product distributor may cause injury to persons or damage to property.
- 7) This product is intended for normal light commercial use only.
- 8) Do not attempt to dismantle the appliance.
- 9) Do not operate the appliance on a metal surface.
- 10) Do not use the appliance in artificially hot or humid conditions or allow to be used in a hazardous environment.
- 11) Do not attempt to lift or move the appliance with the power ON or while the fan is running.
- 12) Do not clean the appliance with organic solvent.
- 13) This appliance is not intended for use by persons (including children) with reduced physical, sensory or mental capabilities, or lack of experience and knowledge.
- 14) Children should not be left unsupervised with the appliance.
- 15) This instruction manual is an integral part of the appliance and should be stored for safe keeping and must always accompany the appliance in the event of ownership transfer or for reference to by a service engineer

READ AND SAVE THESE INSTRUCTIONS

EXPLODED PARTS DIAGRAM



ref#	description	qty	ref#	description	qty
1	Guard, Fan side	1	9	Bolt—Flange 1/4-20x5/8	1
2	Blower Whee	1	10	Motor—1/2 HP	1
3	Rivet	1	11	Grommet—Rubber	1
5	Front Guard	1	12	Housing—Blower	1
6	Nut	1	13	Label	1
7	Knob	1	14	Screw—8-15x5/8	1
8	Guard, Black Cord	1	15	Carpet Clamp	1
9	Switch—4-Position	1			

SAFETY FEATURES

Over Heat Protection

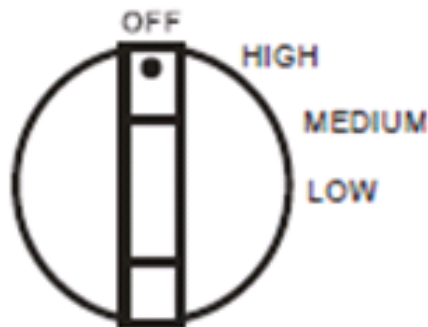
This fan motor is fitted with a thermal overload protection circuit to prevent overheating. If an overheat temperature is reached the unit will shut off automatically. Normal operation will resume when the appliance cools down.

Manual Reset

- 1) Switch to the OFF position.
- 2) Remove the plug from the main socket outlet.
- 3) Check for obvious reasons that may have caused the appliance to over heat; for example: items placed over the air inlet or outlet.
- 4) Wait for 15 minutes before re-connecting the appliance to the mains outlet and continue with normal operation.

OPERATING INSTRUCTIONS

- 1) Ensure the control switch is powered to the off position before connecting to the power supply.
- 2) Connect the main plug to a suitable 240V ~ 50Hz supply.
- 3) Switch to Low or Medium or High speed, as required.



SPECIFICATION

CLIMATE AIR MOVER

MODEL	AM103
Power Supply	1/2 H.P. 240 Volts 50Hz
Class/Protection	I / IP20
Motor Rated Power / Running Power	370W / 530W
Rated Current	2.3Amps
Net Weight	12Kg
Dimensions	445 x 435 x 440 (mm)

CLEANING

01. Before cleaning turn the unit off and unplug from the power supply.
02. To clean the dryer use a soft cloth to wipe off any dust.
03. If very dirty use a damp cloth and wipe dry. Do not use any cleaning detergents, sprays or other chemicals, as they will damage the unit.
04. Store the unit in a ventilated dry area when not in use.