



## CA600 AIR PURIFIER



# INSTRUCTION MANUAL

SAVE THESE INSTRUCTIONS FOR FUTURE REFERENCE

# POINTS FOR ATTENTION

Before using, please read this user manual carefully and keep it for future reference.

## DANGER WARNING

1. To avoid electric shock and fire, do not allow water, liquid or any flammable detergent to get into or to clean the product.
2. Do not spray insecticide, perfume or other flammable spray around the products.

## SAFETY WARNING

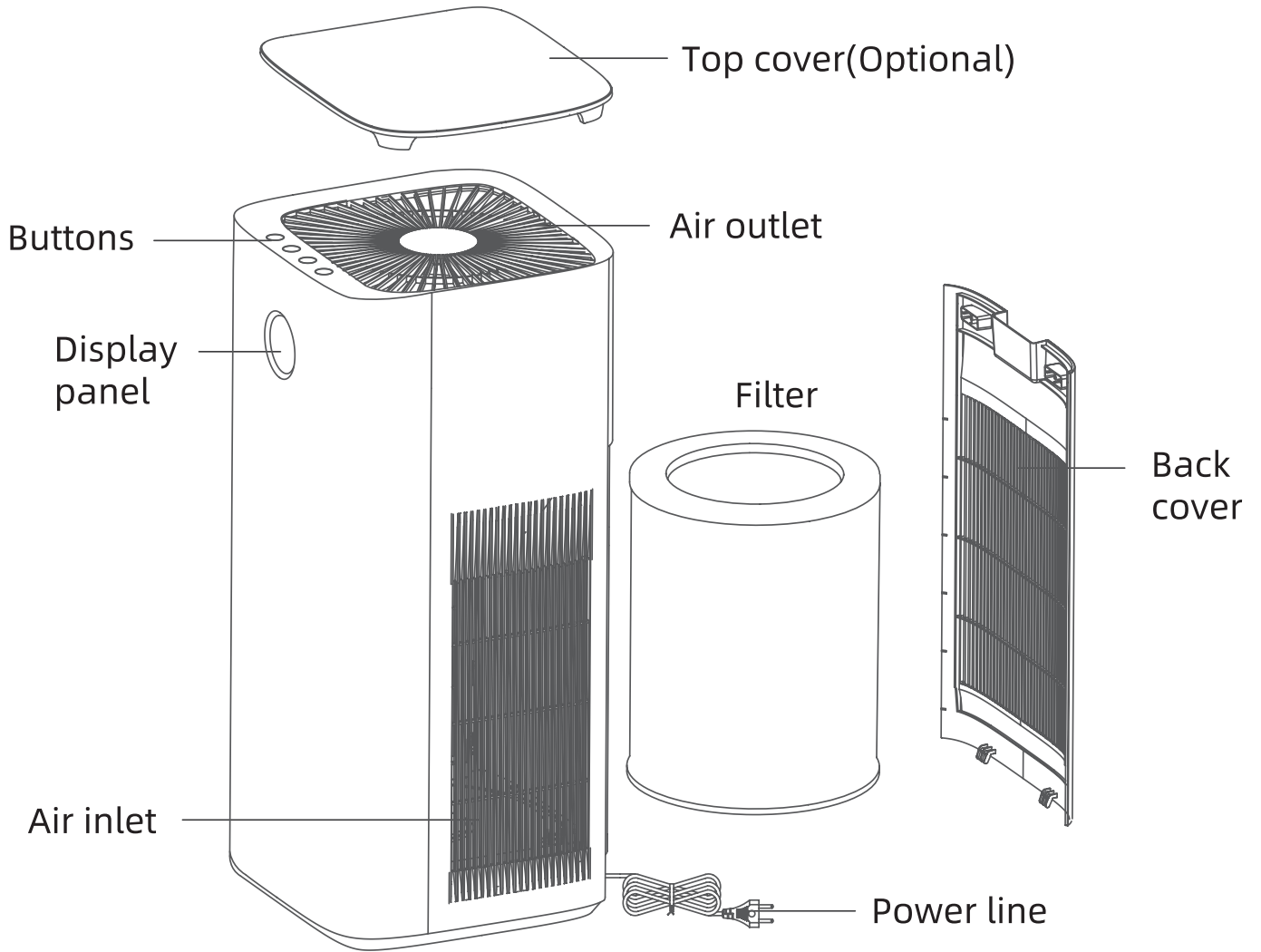
1. Before connecting the power supply, please check whether the voltage of the product is consistent with the local power supply voltage.
2. When the power cord is damaged, it must be replaced by electrical technicians or professional personnel to avoid danger.
3. Do not use when the plug, power cord or the product is damaged
4. Do not block the air inlet and air outlet, for example, do not place objects on or in front of the air outlet.
5. Do not insert foreign matter into the product through the air inlet.
6. This product should not be used by persons (including children) with physical disabilities, mental disabilities or lack of relevant experience and skills, unless they are given instructions by the person responsible for their safety. Do not allow children to play with the product or to clean and maintain the product unsupervised.

## NOTICE

1. This product is not a substitute for normal ventilation, daily vacuuming or cooking range hoods.
2. Make sure the connected power socket is in good contact, or the plug may become very hot.
3. Do not place anything on the product.
4. Ensure the product is used in condition of a stable and horizontal level.
5. Please leave at least 30cm of space on the back and sides of the product, and at least 50cm of space above the product when using.
6. Do not put the product directly under the air conditioner to prevent condensation from dripping into the product.
7. Before turning on the power supply, make sure that the filter and filter cover are properly installed.
8. Please use the filter specially designed for this product.
9. Burning the filter may cause irreversible human harm or endanger other lives. Do not use the filter for fuel or similar purposes.
10. Do not hit the product with hard objects (especially the air outlet and air inlet).
11. Do not insert finger or other things into the air outlet/inlet to prevent physical damage or trouble.
12. Do not use this product when using indoor aerosol repellent or in places filled with oil, flammable gas or chemical fumes.
13. Ensure the device is power-off and unplugged before cleaning, maintaining and replacing filter.
14. Please unplug the product before moving it. Do not move the product by pulling the power cord.

# PRODUCT OVERVIEW

## COMPONENTS



## CONTROL PANEL



UV/anion  
button



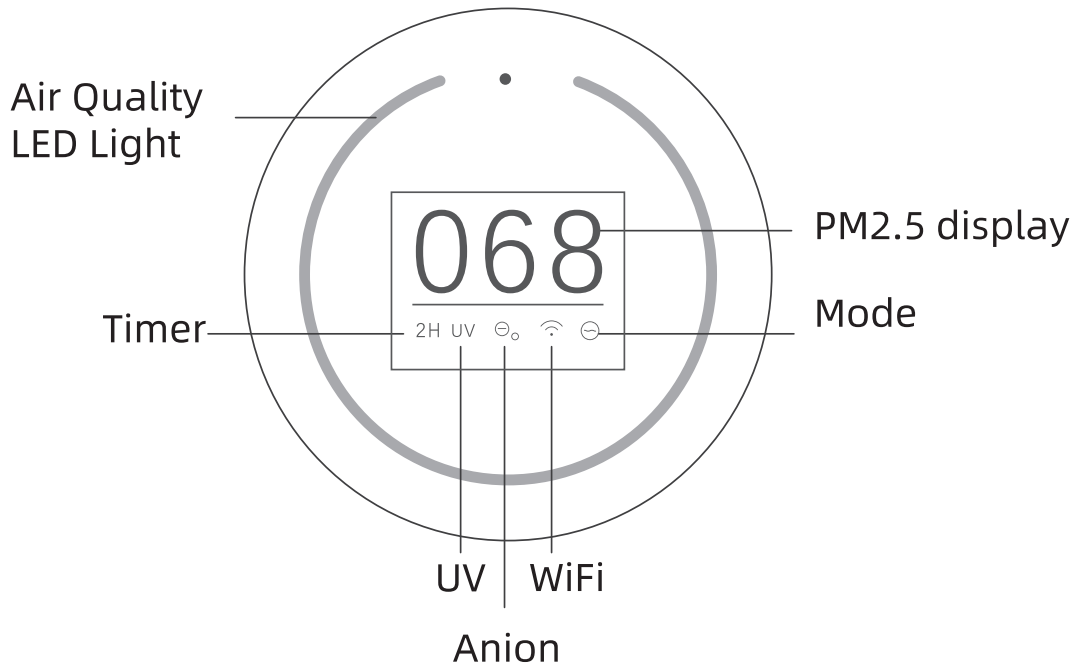
Wind speed  
button



Timer  
button



Power  
button



## SPECIFICATION

Model	CA 600
Dimension	700x310x310mm
Weight	7.9kg
Rated voltage	Input Voltage 220-240V — 50/60Hz
Power	60W
Noise	56dB
Coverage area	77m'

# INSTRUCTION

Plug the air purifier into the power socket, the device will ring a “Di” sound, then the screen and background lights flash once, indicating that the air purifier is energized.

## BUTTON INSTRUCTION

### **Power button**

The device will ring once every time you touch the power button. Press the power button to turn on/off the device. After the device is turned on, it works in Auto mode by default, and the background light displays the corresponding color according to PM2.5 detection value. The display screen displays the status of corresponding function ICONS and PM2.5 values.

Notice: In the case of without unplugging the power plug, when turned on again, the device will work in the state before shutdown by default.

If the filter screen is not installed properly or not installed, the device will have alarm sound and display alarm icon when turned on.

### **Wind speed Button**

In the condition of working, the device will ring once every time you touch the wind speed button. Wind speed can be adjusted in auto - sleep - mid- high mode.

### **Timer button**

In the condition of working, the device will ring once every time you touch the timing button. The timer can be set to 2H-4H-6H-8H-10H-12H-24H-cancel.

When the timer has been set, long press the timing button can cancel the timing.

### **UV/An ion/Wifi Button**

In the condition of working, the device will ring once every time you touch the UV/WiFi/Anion button. Optional function: Anion function only-UV function only-Anion and UV functions-OFF In the condition of working, long press the UV/WiFi/Anion button to connect or reset the WiFi.

Notice: When the UV function has been turned on, it will works intermittently every 2 hours.

# WIFI MANUAL

1. Use your mobile phone to scan the QR code below to download the “Smart Life” APP. You can also search for “smart life” in the APP store or Google Play to install the APP.



2. Open the “Smart Life” APP and use your phone number or e-mail to register your “Smart Life” account, then login.
3. Connect the mobile phone to the home wireless network, and turn on the mobile phone Bluetooth (please select 2.4GHz WiFi network).

## OPEN THE “SMART LIFE” APP

Enter the homepage of the “Smart Life” APP. Click “+” to select to add a device, the APP will display manual addition and automatic discovery.

**Automatic discovery:** When the corresponding authority is turned on, the device can be automatically discovered, and the device needs to be in the network configuration state and turned on.

**Manually add:** select the name corresponding to the product, WIFI+Bluetooth mode.

## BLUETOOTH CONFIGURATION:

When confirming that the WIFI indicator of the device is flashing quickly, click OK, and then wait for the connection. (Recommended,) When “Successfully add 1 device” appears, it means the connection has been completed and your device will be listed in your APP list.

## HOTSPOT CONFIGURATION NETWORK:

Click on the WIFI quick connection in the upper right corner to select the hotspot distribution network (AP Mode), Confirm that the WIFI indicator of the device flashes slowly, click OK, and enter your home WIFI and WIFI password.

Next, click to connect to go to the WLAN setting interface of the phone, and then select the Wi-Fi network “SmartLife\_XXXX” to connect it.

Your device will be listed in your APP list. Now, you can control your smart device through the mobile APP anytime and anywhere (make sure your mobile phone and smart device are connected to the network, make sure your router name is changed to SmartLife\_XXXX).

# FILTER REPLACING

When the screen displays the remaining 0% of the filter's service life, it indicates that the filter needs to be replaced. Please use the filter specially designed for this product.

## NOTICE:

1. Please wipe the dust on the filter regularly, do not wash or use it repeatedly.
2. Please turn off the device and unplug the plug from the power outlet before replacing the filter.
3. Do not vacuum the filter.
4. Please put the filter in direct sunlight regularly to sterilize bacteria.

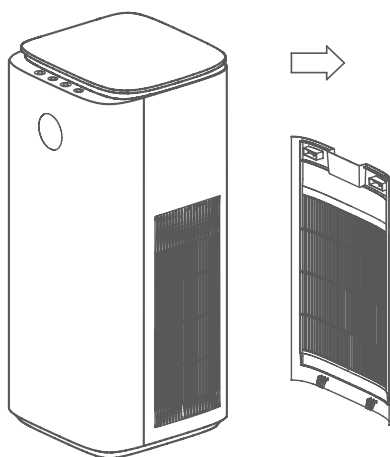
When the air purifier runs for more than 2200 hours, the screen will display an icon indicating the remaining 0% of the filter's service life and the indicator will flash in yellow, indicating that the filter should be replaced.

## REMOVE THE PACKING OF FILTER

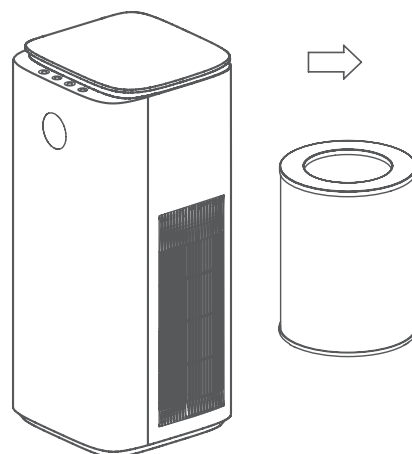
Ensure the device is unplugged then remove the packing of filter before using.

1. Turn off the device and unplug it from the socket.

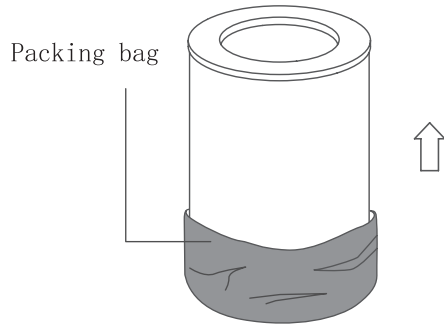
### 2. Open the back cover.

**2**

### 3. Remove the filter.

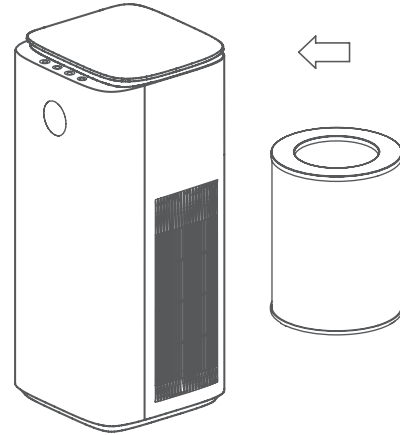
**3**

4. Remove the packing of new filter.



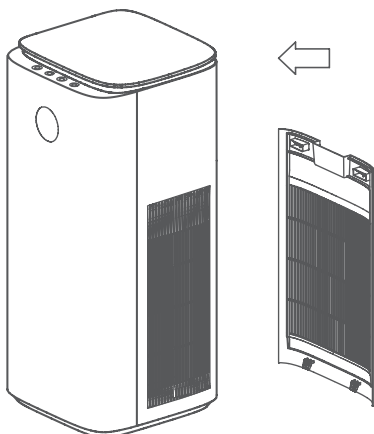
4

5. Install the new filter in the air purifier: Rotate the bottom cover in the direction marked "Close".



5

6. Install the back cover.



6

7. After replacing the filter, plug the air purifier into the power socket, touch the power button then the screen will displays the icon of " filter 0% " and background light flash in yellow. Then long press the wind speed button, if the screen will displays the icon of " filter 100% " , the filter is replaced successfully.



# MAINTENANCE

## NOTICE:

- Ensure the device is unplugged before maintenance.
- Do not immerse the air purifier into water or any liquid.
- Do not use abrasive, corrosive or flammable cleansers (such as bleach or alcohol) to clean any part of the unit.
- Do not wash the filter.
- Do not use a vacuum cleaner to clean the filter.

## CLEAN:

- Ensure the device is power-off and unplugged.
- Remove the filter, clean the dust adsorbed on the outer surface of the filter (gently pat the filter outside the house);
- Use a soft cloth with neutral cleanser to clean away any dust or debris from the surface of the device and air inlet/outlet.
- After the device completely dry out, put on the bag and place it in a cool and well-ventilated place.

**Notice:** Make sure there is no any water drop into the device when clean the air outlet.

## STORAGE:

- Turn off the device and unplug the power supply, arrange and bundle the power cord.
- Remove the filter, clean the dust adsorbed on the outer surface of the filter
- Clean the air inlet/outlet, wipe the body with a neutral detergent and a soft cloth.
- After the device is completely dried, put on a dust cover/bag and place it in a well-ventilated place not exposed to direct sunlight.
- If you do not use it for a long time, please turn on the device for a few minutes from time to time to ensure a good performance.

# TROUBLESHOOTING

Problem	Solution
Not working	<ul style="list-style-type: none"> <li>• Is it plugged into a power socket? Is there a power outage?</li> <li>• Is the home leakage switch or fuse cut off?</li> <li>• Is the service life of filter runs out?</li> </ul>
The air volume becomes smaller	<ul style="list-style-type: none"> <li>• Is there any dust in the surface of original filter?</li> <li>• Is the air inlet/outlet of the device blocked by something?</li> </ul>
Significant noise	<ul style="list-style-type: none"> <li>• Is there anything stuck on the fan in the air outlet?</li> <li>• Is the device tilted?</li> <li>• If not the situation above, you can adjust the device to a lower wind speed.</li> </ul>
Bad smell	<ul style="list-style-type: none"> <li>• It is normal that air purifiers may smell plastic the first few times they are used. If the filters are dirty, the air purifiers will also give off bad smell. Please clean or replace the filter in this situation.</li> <li>• If the burning smell emits from the machine, please unplug the power socket and contact with seller or customer service.</li> </ul>
The reminder of replacing filter keeps flashing after new filter has been replaced	<p>The filter has been replaced, it may be that you haven't reset the filter life indicator. Please press and hold the wind speed button for 7s to remove the yellow light and the indicator will resume from 0 hours.</p>